

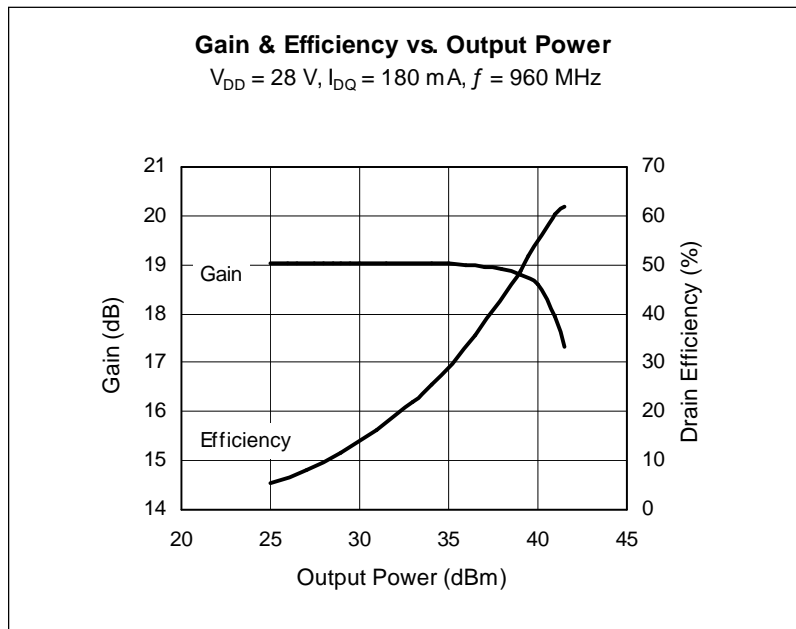
## High Power RF LDMOS Field Effect Transistor 10 W, 450 – 960 MHz

### Description

The PTF080101M is an unmatched 10-watt *GOLDMOS*® FET intended for class AB base station applications in the 450 MHz to 960 MHz band. This LDMOS device offers excellent gain, efficiency and linearity performance in a small footprint.



PTF080101M  
Package PG-RFP-10



### Features

- Typical EDGE performance
  - Average output power = 5.0 W
  - Gain = 19 dB
  - Efficiency = 37%
  - EVM = 2.0%
- Typical CW performance
  - Output Power at P-1dB = 12.5 W
  - Gain = 18 dB
  - Efficiency = 50%
- Integrated ESD protection:  
Human Body Model Class 1 (minimum)
- Excellent thermal stability
- Low HCI drift
- Capable of handling 10:1 VSWR @ 28 V, 10 W (CW) output power
- Pb-free and RoHS compliant

### RF Characteristics

**Two-Tone Measurements** (not subject to production test—verified by design/characterization in Infineon test fixture)

$V_{DD} = 28\text{ V}$ ,  $I_{DQ} = 180\text{ mA}$ ,  $P_{OUT} = 10\text{ W PEP}$ ,  $f = 960\text{ MHz}$ , tone spacing = 1 MHz

Characteristic	Symbol	Min	Typ	Max	Unit
Gain	$G_{ps}$	16	—	—	dB
Drain Efficiency	$\eta_D$	35	—	—	%
Intermodulation Distortion	IMD	—	—	-28	dBc

All published data at  $T_{CASE} = 25^\circ\text{C}$  unless otherwise indicated

**ESD:** Electrostatic discharge sensitive device—observe handling precautions!

## DC Characteristics

Characteristic	Conditions	Symbol	Min	Typ	Max	Unit
Drain-Source Breakdown Voltage	$V_{GS} = 0\text{ V}, I_{DS} = 10\ \mu\text{A}$	$V_{(BR)DSS}$	65	—	—	V
Drain Leakage Current	$V_{DS} = 28\text{ V}, V_{GS} = 0\text{ V}$	$I_{DSS}$	—	—	1.0	$\mu\text{A}$
On-State Resistance	$V_{GS} = 10\text{ V}, V_{DS} = 0.1\text{ A}$	$R_{DS(on)}$	—	0.83	—	$\Omega$
Operating Gate Voltage	$V_{DS} = 28\text{ V}, I_{DQ} = 180\text{ mA}$	$V_{GS}$	2.5	3.2	4.0	V
Gate Leakage Current	$V_{GS} = 10\text{ V}, V_{DS} = 0\text{ V}$	$I_{GSS}$	—	—	1.0	$\mu\text{A}$

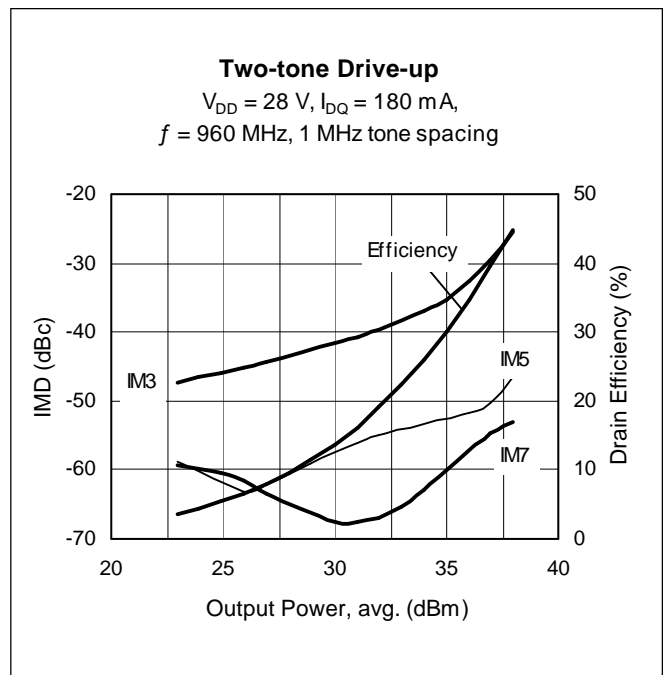
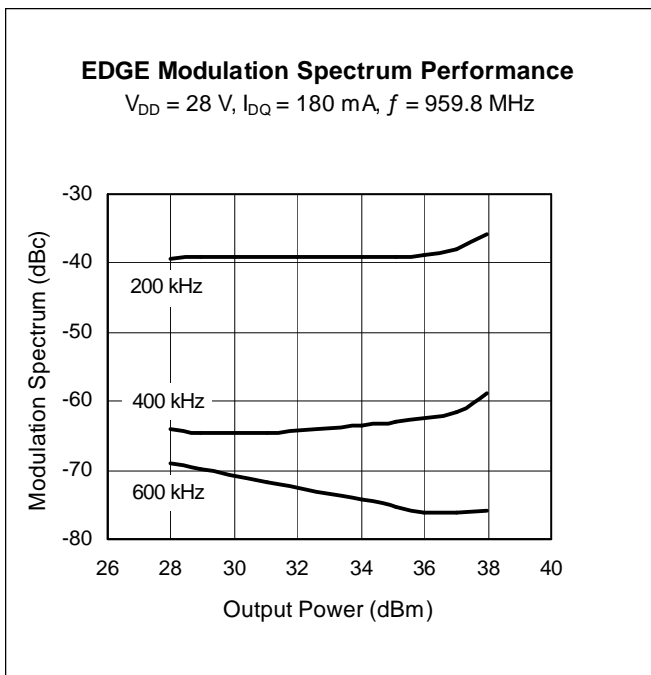
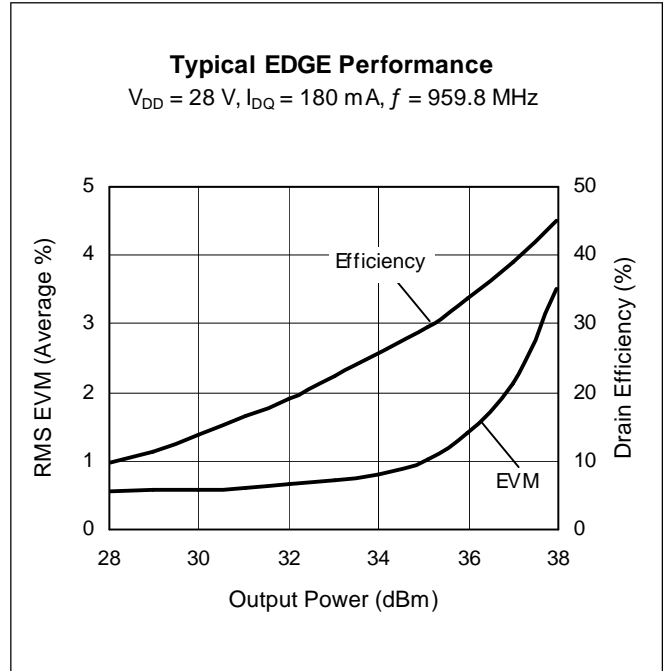
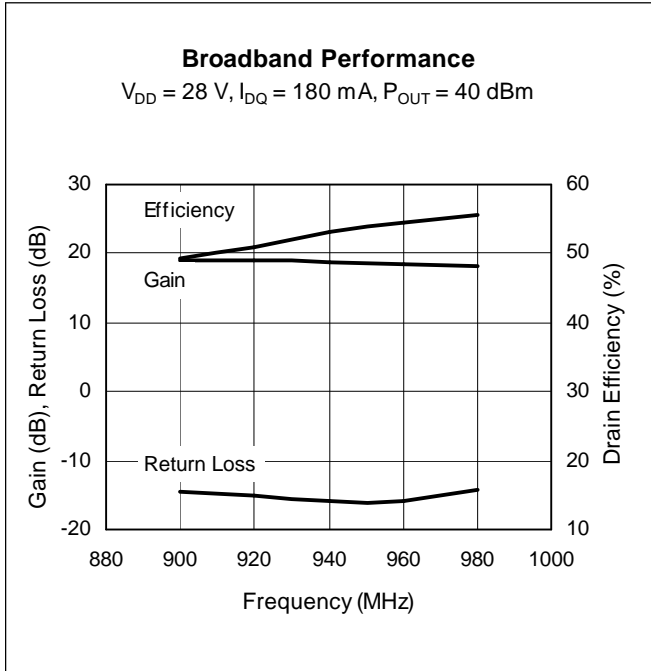
## Maximum Ratings

Parameter	Symbol	Value	Unit
Drain-Source Voltage	$V_{DSS}$	65	V
Gate-Source Voltage	$V_{GS}$	-0.5 to +12	V
Junction Temperature	$T_J$	150	$^{\circ}\text{C}$
Total Device Dissipation	$P_D$	18.8	W
Above 25 $^{\circ}\text{C}$ derate by		0.15	W/ $^{\circ}\text{C}$
Storage Temperature Range	$T_{STG}$	-40 to +150	$^{\circ}\text{C}$
Thermal Resistance ( $T_{CASE} = 70^{\circ}\text{C}, 10\text{ W DC}$ )	$R_{\theta JC}$	6.5	$^{\circ}\text{C/W}$

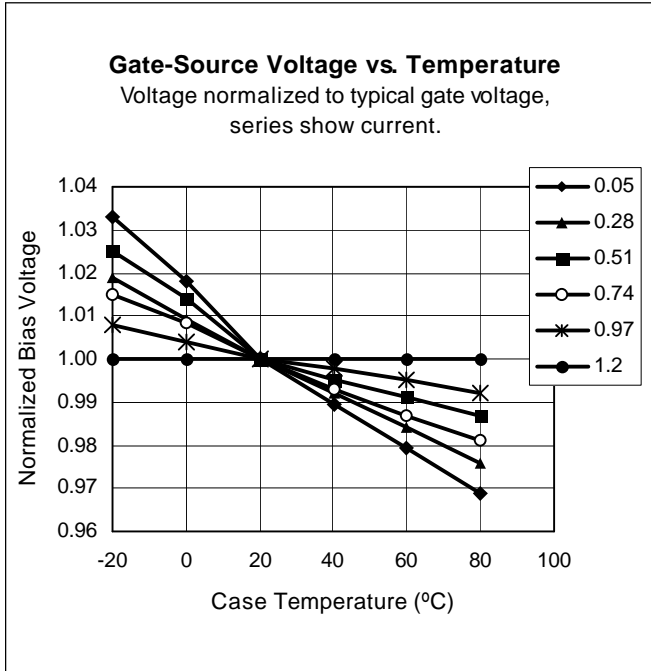
## Ordering Information

Type	Package Outline	Package Description	Marking
PTF080101M	PG-RFP-10	Molded plastic, SMD	0081

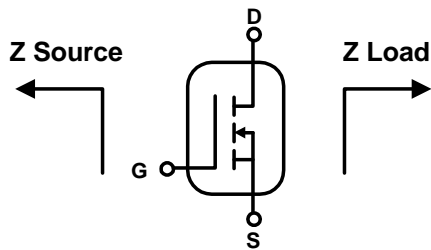
**Typical Performance** (data taken in production test fixture)



Typical Performance (cont.)

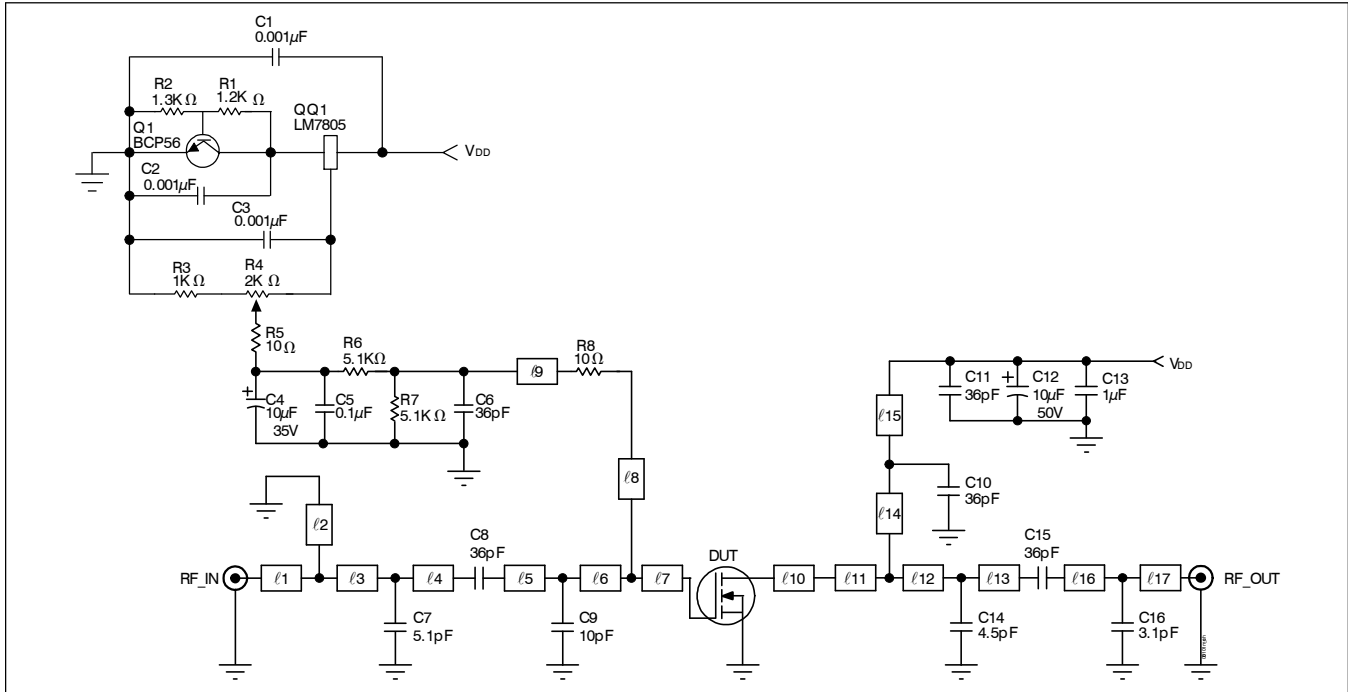


Broadband Circuit Impedance



Frequency MHz	Z Source W		Z Load W	
	R	jX	R	jX
820	3.73	2.10	10.41	3.92
840	3.81	2.22	9.61	4.14
860	3.83	2.30	9.00	4.48
880	3.76	2.39	8.55	4.89
900	3.61	2.50	8.24	5.32
920	3.37	2.69	8.02	5.76
940	3.08	2.96	7.89	6.20
960	2.76	3.35	7.84	6.63
980	2.43	3.86	7.85	7.04
1000	2.13	4.47	7.91	7.43

Reference Circuit



Reference circuit schematic for  $f = 960 \text{ MHz}$

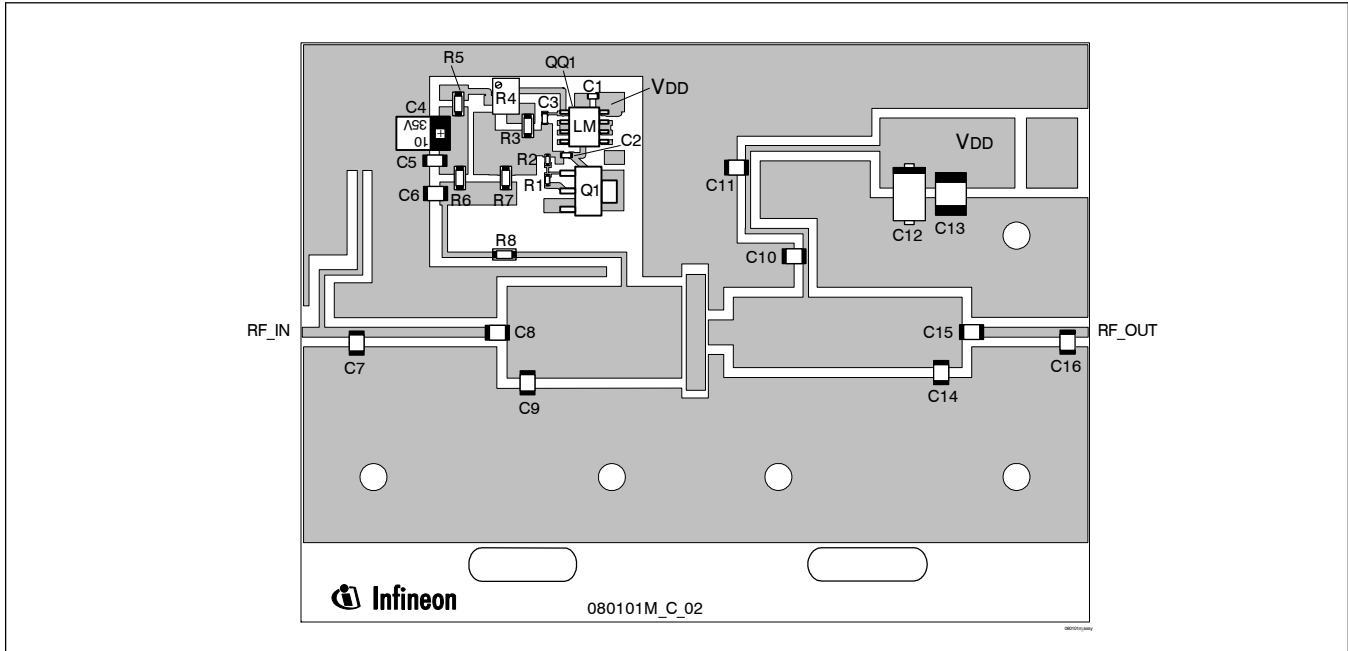
Circuit Assembly Information

DUT	PTF080101M	LDMOS Transistor	
PCB	0.76 mm [.030"] thick, $\epsilon_r = 4.5$	Rogers TMM4	2 oz. copper

Microstrip	Electrical Characteristics at 960 MHz <sup>1</sup>	Dimensions: L x W (mm)	Dimensions: L x W (in.)
l1	0.016 $\lambda$ , 50.0 $\Omega$	2.77 x 1.27	0.109 x 0.050
l2	0.132 $\lambda$ , 75.0 $\Omega$	25.65 x 0.64	1.010 x 0.025
l3	0.028 $\lambda$ , 50.0 $\Omega$	4.83 x 1.27	0.190 x 0.050
l4	0.101 $\lambda$ , 50.0 $\Omega$	17.20 x 1.27	0.677 x 0.050
l5	0.015 $\lambda$ , 10.0 $\Omega$	2.39 x 11.99	0.094 x 0.472
l6	0.086 $\lambda$ , 10.0 $\Omega$	13.08 x 11.99	0.515 x 0.472
l7	0.050 $\lambda$ , 10.0 $\Omega$	7.65 x 11.99	0.301 x 0.472
l8	0.106 $\lambda$ , 73.0 $\Omega$	18.49 x 0.64	0.728 x 0.025
l9	0.086 $\lambda$ , 73.0 $\Omega$	15.16 x 0.64	0.597 x 0.025
l10	0.020 $\lambda$ , 29.0 $\Omega$	3.30 x 3.30	0.130 x 0.130
l11	0.061 $\lambda$ , 12.5 $\Omega$	9.42 x 9.19	0.371 x 0.362
l12	0.111 $\lambda$ , 12.5 $\Omega$	17.53 x 9.19	0.690 x 0.362
l13	0.022 $\lambda$ , 12.5 $\Omega$	3.35 x 9.19	0.132 x 0.362
l14	0.028 $\lambda$ , 73.0 $\Omega$	4.90 x 0.64	0.193 x 0.025
l15	0.100 $\lambda$ , 73.0 $\Omega$	17.53 x 0.64	0.690 x 0.025
l16	0.070 $\lambda$ , 50.0 $\Omega$	11.94 x 1.22	0.470 x 0.048
l17	0.016 $\lambda$ , 50.0 $\Omega$	2.67 x 1.22	0.105 x 0.048

<sup>1</sup>Electrical characteristics are rounded.

Reference Circuit (cont.)



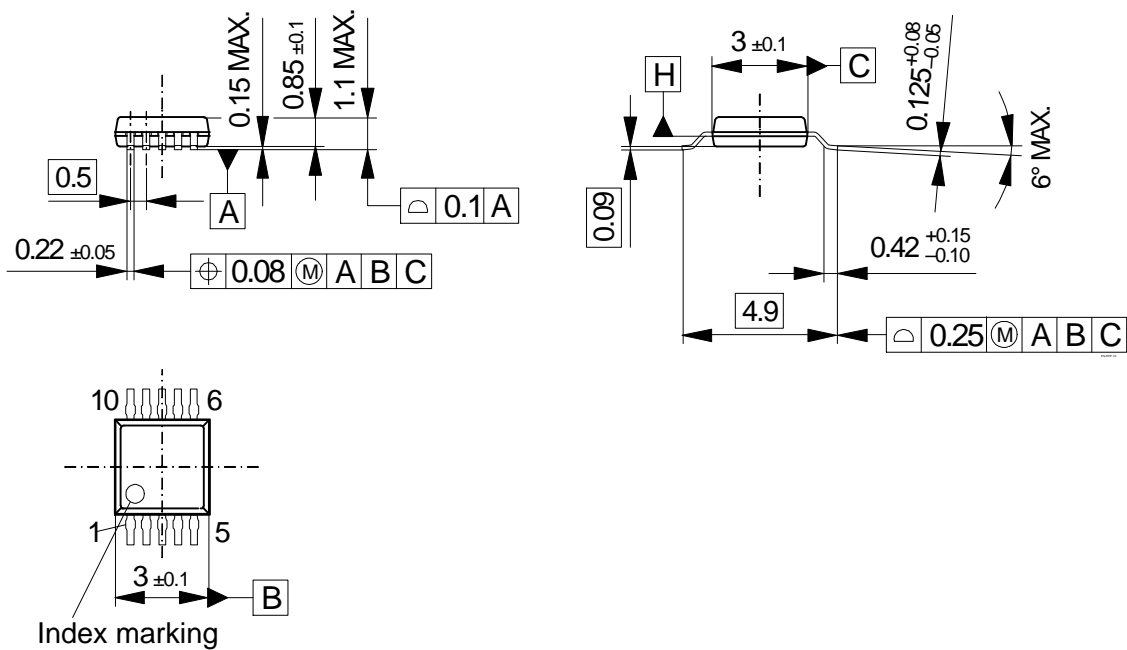
Reference circuit assembly diagram (not to scale)\*

Component	Description	Suggested Manufacturer	P/N or Comment
C1, C2, C3	Capacitor, 0.001 $\mu$ F	Digi-Key	PCC1772CT-ND
C4	Tantalum capacitor, 10 $\mu$ F, 35 V	Digi-Key	PCS6106TR-ND
C5	Capacitor, 0.1 $\mu$ F	Digi-Key	PCC104BCT-ND
C6, C8, C10, C11, C15	Ceramic capacitor, 36 pF	ATC	100B 360
C7	Ceramic capacitor, 5.1 pF	ATC	100B 5R1
C9	Ceramic capacitor, 10 pF	ATC	100B 100
C12	Tantalum capacitor, 10 $\mu$ F, 50 V	Garrett Electronics	TPS106K050R0400
C13	Capacitor, 1.0 $\mu$ F	Toshiba	C4532XTRZA105M
C14	Ceramic capacitor, 4.5 pF	ATC	100B 4R5
C16	Ceramic capacitor, 3.1 pF	ATC	100B 3R1
Q1	Transistor	Infinition Technologies	BCP56
QQ1	Voltage regulator	National Semiconductor	LM7805
R1	Chip Resistor 1.2 k-ohms	Digi-Key	P1.2KGCT-ND
R2	Chip Resistor 1.3 k-ohms	Digi-Key	P1.3KGCT-ND
R3	Chip Resistor 1 k-ohms	Digi-Key	P1KECT-ND
R4	Potentiometer 2 k-ohms	Digi-Key	3224W-202ETR-ND
R5, R8	Chip Resistor 10 ohms	Digi-Key	P10ECT-ND
R6, R7	Chip Resistor 5.1 k-ohms	Digi-Key	P5.1KECT-ND

\*Gerber Files for this circuit available on request

Package Outline Specifications

Package PG-RFP-10 (TSSOP-10 Outline)



Notes: Unless otherwise specified

1. Dimensions are mm
2. Lead thickness: 0.09
3. Pins: 1 – 5 = gate, underside = source, 6 – 10 = drain

Find the latest and most complete information about products and packaging at the Infineon Internet page <http://www.infineon.com/products>

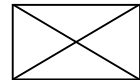
Page	Subjects (major changes since last revision)
4	Add Temperature graph and impedance information.
5 – 6	Add circuit information.
all	Remove Preliminary status

### We Listen to Your Comments

Any information within this document that you feel is wrong, unclear or missing at all?  
Your feedback will help us to continuously improve the quality of this document.  
Please send your proposal (including a reference to this document) to:

[highpowerRF@infineon.com](mailto:highpowerRF@infineon.com)

To request other information, contact us at:  
+1 877 465 3667 (1-877-GOLDMOS) USA  
or +1 408 776 0600 International



GOLDMOS® is a registered trademark of Infineon Technologies AG.

### Edition 2005-12-16

Published by Infineon Technologies AG,  
St.-Martin-Strasse 53,  
81669 München, Germany

© Infineon Technologies AG 2005.  
All Rights Reserved.

### Attention please!

The information herein is given to describe certain components and shall not be considered as a guarantee of characteristics.

Terms of delivery and rights to technical change reserved.

We hereby disclaim any and all warranties, including but not limited to warranties of non-infringement, regarding circuits, descriptions and charts stated herein.

### Information

For further information on technology, delivery terms and conditions and prices please contact your nearest Infineon Technologies Office ([www.infineon.com/rfpower](http://www.infineon.com/rfpower)).

### Warnings

Due to technical requirements components may contain dangerous substances. For information on the types in question please contact your nearest Infineon Technologies Office.

Infineon Technologies Components may only be used in life-support devices or systems with the express written approval of Infineon Technologies, if a failure of such components can reasonably be expected to cause the failure of that life-support device or system, or to affect the safety or effectiveness of that device or system. Life support devices or systems are intended to be implanted in the human body, or to support and/or maintain and sustain and/or protect human life. If they fail, it is reasonable to assume that the health of the user or other persons may be endangered.